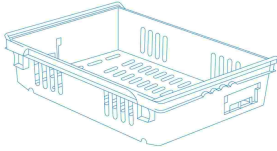
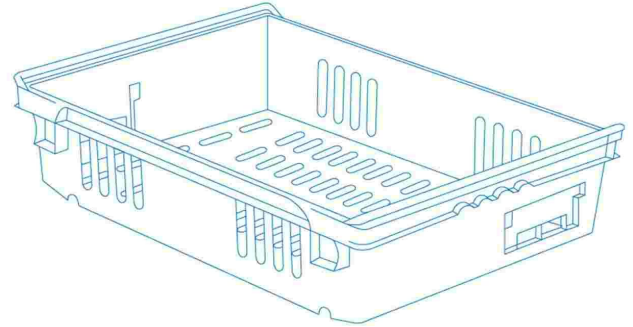


Overview

The 23L Grey handle Returnable Plastic Container (RPC) provides a solution for the storage, distribution and display of fresh and chilled food, enabling savings in time and handling.

There is a range of sizes which are modular and fit to the industry standard pallet size.

They are also fully vented and suitable for use in temperature controlled areas.



Features and Benefits

- Manufactured using high density polypropylene to physically protect the product
- Easy to clean and impervious to moisture
- Lightweight
- Venting in side and floor panels
- Nestable when empty for secure loading ability
- Hygienic design – especially suitable for fresh and chilled food products
- Clearly identifies product and projects a clean, quality image
- Suitable for use in temperature controlled areas
- Reduced product damage and a significantly improved pack out rate
- Improved storage efficiency
- Easy handling
- Nationwide service centre network
- Returnable packaging is environmentally acceptable

Specifications

Dimensions - in millimetres

	Length	Width	Height
External	600	400	132
Internal	548	353	109

Nominal Capacity and Weight

Maximum capacity	23 ltrs
	0.02 m3
Maximum load weight	12 kgs
Tare weight	1.5 kgs

Configuration and Stacking

Units per pallet layer	5
Stacked layers	30

Notes

Materials

High density Polypropylene

CHEP.com

CHEP Americas
5897 Windward Parkway
Alpharetta, GA, 30005
USA
Toll Free: + 1 855 653 7848
Tel: +1 407 370 2437
Fax: + 407 226-4306
Email: goblue@CHEP.com

CHEP Europe, Middle East & Africa
Unit 2, Weybridge Business Park
Addlestone Road, Weybridge, Surrey
KT15 2UP United Kingdom
Tel: +44 1932 833115
Fax: +44 1932 850144

CHEP Asia Pacific
Level 6, Building C
11 Talavera Road
North Ryde NSW 2113
Australia
Tel: +61 2 9856 2400
Fax: +61 2 9856 2404

CHEP Aerospace Solutions
Head Office
Steinackerstrasse 2
CH-8302, Kloten
Switzerland
Tel: +41 43 255 4141
Fax: +41 43 255 4142